

# PS2-4000 HR-14HL

## Solar Submersible Pump System for 4" wells

### System Overview

Head	max. 180 m
Flow rate	max. 2,6 m³/h

### Technical Data

#### Controller PS2-4000

- Controlling and monitoring
- Control inputs for dry running protection, remote control etc.
- Protected against reverse polarity, overload and overtemperature
- Integrated MPPT (Maximum Power Point Tracking)
- Integrated Sun Sensor

Power	max. 4,0 kW
Input voltage	max. 375 V
Optimum Vmp**	> 238 V
Motor current	max. 14 A
Efficiency	max. 98 %
Ambient temp.	-40...50 °C
Enclosure class	IP68

#### Motor ECDRIVE 4000-HR

- Maintenance-free brushless DC motor
- Water filled
- Premium materials, stainless steel: AISI 304/316
- No electronics in the motor

Rated power	4,0 kW
Efficiency	max. 92 %
Motor speed	900...3.300 rpm
Insulation class	F
Enclosure class	IP68
Submersion	max. 150 m

#### Pump End PE HR-14HL\*\*\*

- Non-return valve
- Premium materials, stainless steel: AISI 304/316
- Optional: dry running protection
- Helical rotor pump

#### Pump Unit PU4000 HR-14HL (Motor, Pump End)

Borehole diameter	min. 4,0 in
Water temperature	max. 50 °C

### Standards



2006/42/EC, 2004/108/EC, 2006/95/EC

IEC/EN 61702:1995

The logos shown reflect the approvals that have been granted for this product family. Products are ordered and supplied with the approvals specific to the market requirements.

\*\*Vmp: MPP-voltage under Standard Test Conditions (STC): 1000 W/m² solar irradiance, 25 °C cell temperature

\*\*\*Specify temperature range on order

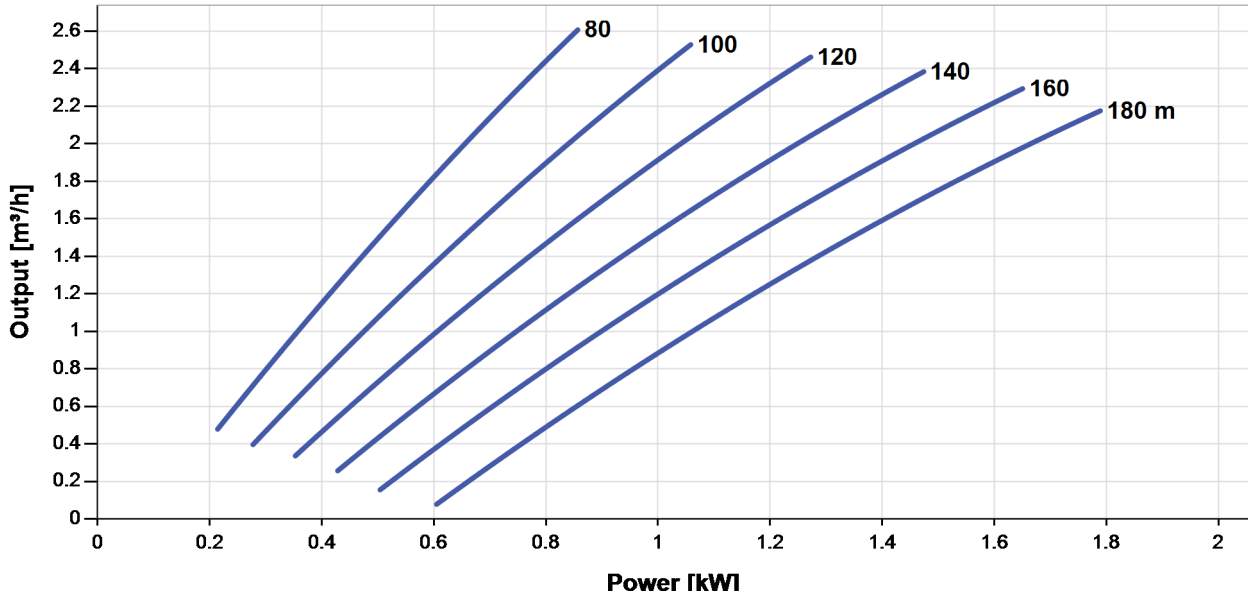


## PS2-4000 HR-14HL

### Solar Submersible Pump System for 4" wells

#### Pump Chart

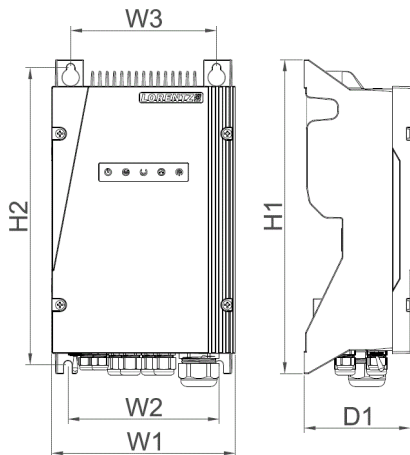
V<sub>mp</sub>\* > 238 V



#### Dimensions and Weights

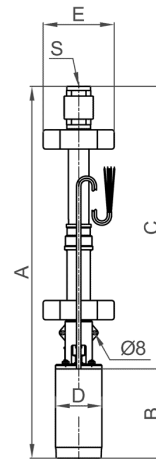
##### Controller

H1 = 352 mm  
 H2 = 333 mm  
 W1 = 207 mm  
 W2 = 170 mm  
 W3 = 164 mm  
 D1 = 124 mm



##### Pump Unit\*\*

A = 913 mm  
 B = 245 mm  
 C = 668 mm  
 D = 96 mm  
 E = 147 mm  
 S = 1,25 in



	Net weight
Controller	6,1 kg
Pump Unit	16 kg
Motor	10 kg
Pump End	5,5 kg

\*V<sub>mp</sub>: MPP-voltage under Standard Test Conditions (STC); 1000 W/m<sup>2</sup> solar irradiance, 25 °C cell temperature

\*\*By cutting the rubber spacers the diameter can be adjusted between 6" and 4" wells.

**BERNT LORENTZ GmbH & Co. KG**  
 Siebenstuecken 24, 24558 Henstedt-Ulzburg,  
 Germany, Tel +49 (0)4193 8806-700, www.lorentz.de



Created by LORENTZ COMPASS 3.1.0.100

All specifications and information are given with good intent, errors are possible and products may be subject to change without notice. Pictures may differ from actual products depending on local market requirements and regulations.